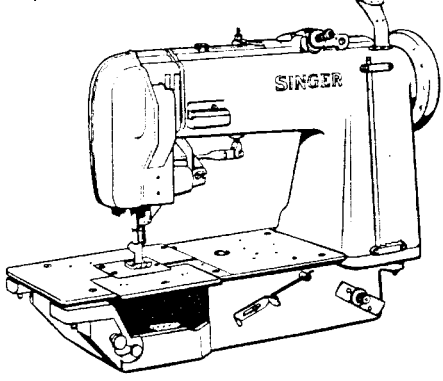
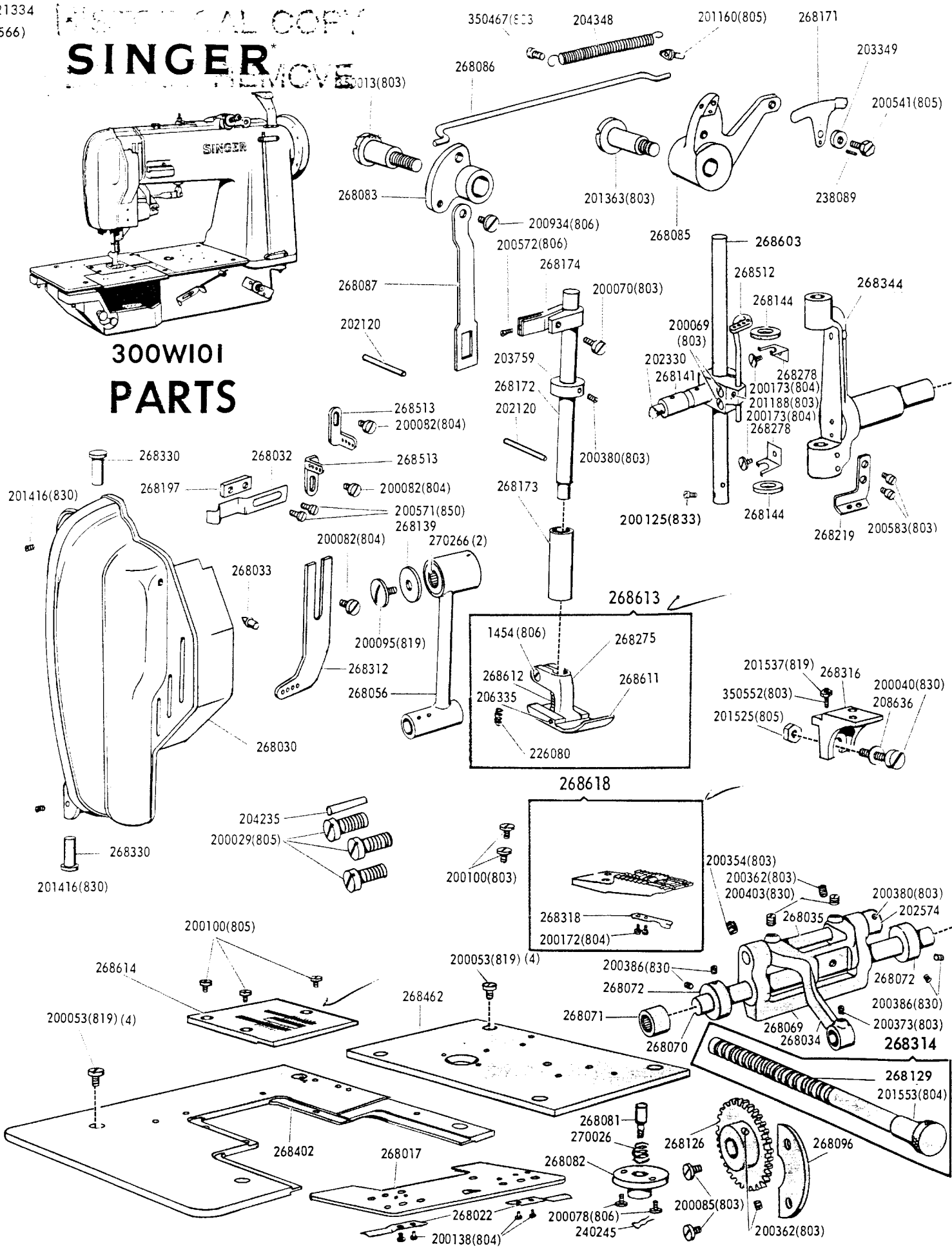


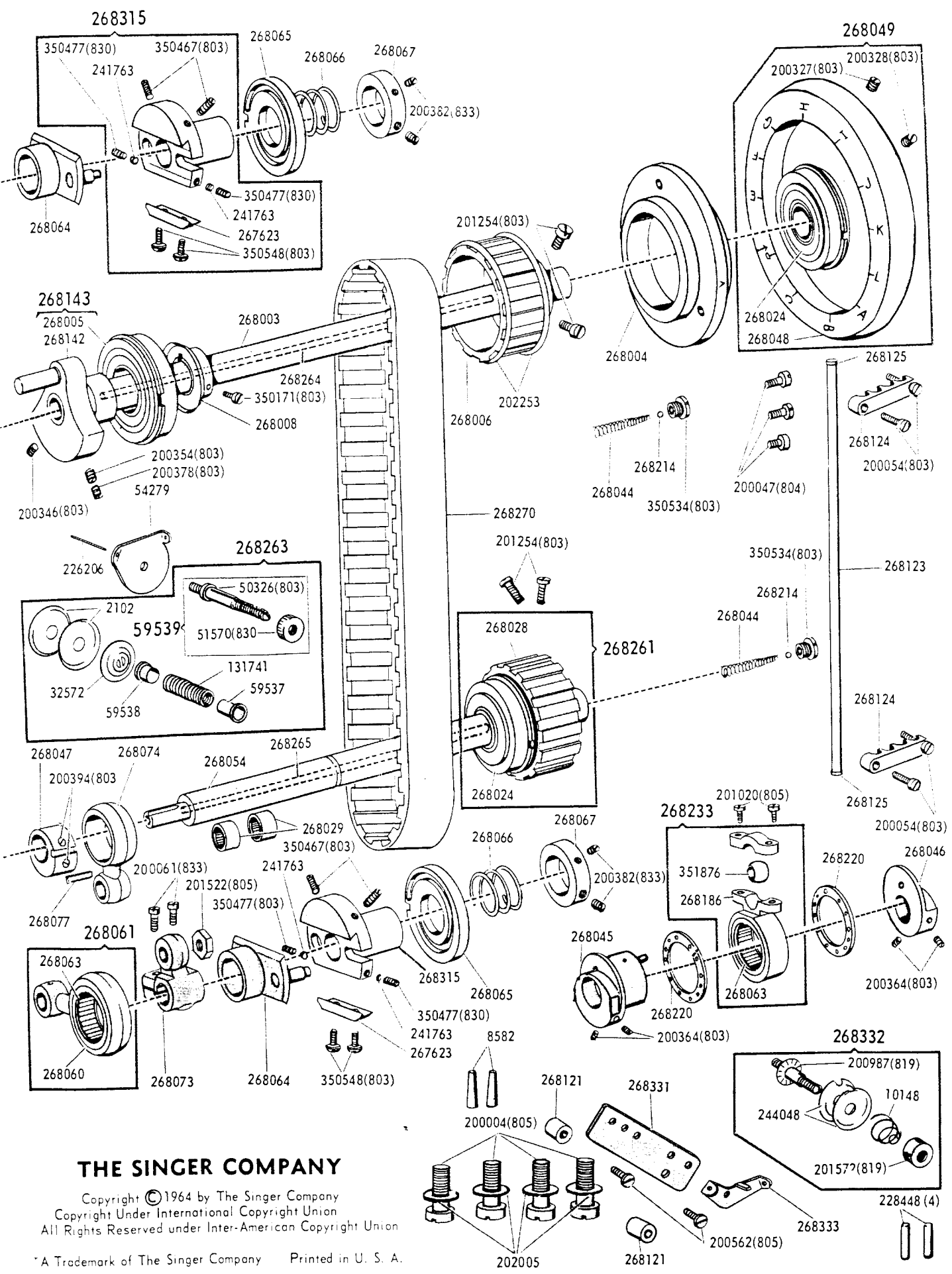
SINGER
300W101, 105, 205, 305 & 405

PHOTOCOPIED COPY
SINGER
REPRODUCTION REMOVE



**300W101
PARTS**





THE SINGER COMPANY

Copyright © 1964 by The Singer Company
 Copyright Under International Copyright Union
 All Rights Reserved under Inter-American Copyright Union

* A Trademark of The Singer Company Printed in U. S. A.

NUMERICAL LIST OF PARTS 300W101 MACHINE

| PART NO. | DESCRIPTION | PART NO. | DESCRIPTION | PART NO. | DESCRIPTION |
|-------------|--|-------------|---|----------|--|
| 1454(806) | Presser Foot Shank Pinch Screw | 200780(830) | Feed Driving Rock Shaft Collar | 268022 | Bed Plate Slide Spring (2) |
| 2102 | Needle Thread Tension Disc (2) | 200784(830) | Feed Lifting Eccentric Set Screw (2) | 268024 | Arm Shaft Ball Bearing (back) |
| 2582 | Arm Position Pin (2) | 200785(830) | Spreader Driving Crank Set Screw | 268028 | Bed Shaft Ball Bearing |
| 10146 | Looper Thread Tension Spring | 200787(830) | Feed Bar Set Screw (2) | 268029 | Bed Shaft Connection Belt Pulley with two 201254(803) |
| 268129 | Looper Throw-out Rack Rod | 200444(803) | Looper Throw-out Gear Locking Plunger Stop Screw | 268029 | Bed Shaft Needle Bearing (2) |
| 268314 | Looper Throw-out Rack Rod 268129 with 201553(804) | 200841(805) | Needle Thread Tension Releasing Plate Screw | 268029 | Needle Bar Rock Frame Needle Bearing (2) |
| 32672 | Needle Thread Tension Releasing Disc | 200542(805) | Looper Thread Tension Bracket Screw (2) | 268030 | Face Plate with 268033 and two 201410(830) |
| 50169(809) | Looper Thread Guide (top of Arm) Bracket Screw (2) | 200571(850) | Face Plate Lock Spring Screw (2) | 268032 | Face Plate Lock Spring |
| 50520(803) | Needle Thread Tension Stud | 200572(800) | Presser Bar Guide Bracket Adjusting Screw | 268033 | Face Plate Lock Stud |
| 51570(830) | Needle Thread Tension Thumb Nut | 200573(804) | Looper Driving Crank Oil Stop Screw | 268034 | Feed Bar with 200373(803) and two 203403(830) |
| 54279 | Needle Thread Tension Thread Guide (double) | 200578(803) | Looper Thread Guide (top of arm) Bracket screw (2) | 268035 | Feed Bar Hinge Pin |
| 54537 | Needle Thread Tension Spring Bushing (front) | 200583(803) | Needle Bar Rock Frame Thread Guide Screw (2) | 268044 | Arm Shaft Oil Stop Ball Spring (rear) |
| 54538 | Needle Thread Tension Spring Bushing (back) | 200924(806) | Foot Lifter Lifting Link Hinge Screw | 268044 | Bed Shaft Oil Stop Ball Spring |
| 54539 | Needle Thread Tension Stud 50520(803) with 51570(830) | 200947(819) | Looper Thread Tension Stud | 268045 | Spreader Driving Eccentric with two 200344(803) |
| 67425 | Looper Carrier Crank Clamping Stud Washer | 201020(803) | Spreader Driving Connection Cap Screw (2) | 268046 | Spreader Driving Eccentric Counter-balance with two 200348(803) |
| 131741 | Needle Thread Tension Spring | 201022(803) | Needle Thread Tension Releaser Cap Set Screw | 268047 | Feed Lifting Eccentric with 268077 and two 200394(803) |
| 141220(809) | Needle Guard Set Screw | 201052(833) | Foot Lifter Lever Spring Screw Eye | 268048 | Machine Pulley (aluminum alloy casting) for V belt (outside diam. of belt groove 2.9 in.) with 200327(803) and 200328(803) |
| 200004(805) | Arm screw (4) | 201100(805) | Needle Thread Guide (on Needle Bar Connecting Stud) Set Screw | 268049 | Machine Pulley 268048 with 268024 |
| 200029(805) | Arm Head screw (3) | 201188(813) | Bed Shaft Connection Belt Pulley Set Screw (2) | 268051 | Looper Thread Guide |
| 200035(804) | Looper Thread Guide Screw | 201254(803) | Arm Shaft Connection Belt Pulley Set Screw (2) | 268052 | Looper Thread Take-up Rod |
| 200035(805) | Spreader Bar Bearing screw (2) | 201259(803) | Feed Lifting Crank Pinch Screw | 268053 | Spreader Driving Rock Shaft with 200004(806) |
| 200044(803) | Feed Dog Shank Screw | 201259(830) | Foot Lifter Crank Pinch Screw | 268054 | Bed Shaft with 268044, 268214, 268265 and 350534(803) |
| 200047(804) | Arm Shaft Ball Bearing (back) Housing Screw (5) | 201313(803) | Foot Lifter Lever Hinge Screw | 268056 | Needle Bar Connecting Link 268055 with two 27029t |
| 200047(805) | Needle Thread Tension Bracket screw (2) | 201410(830) | Face Plate Hinge Stud Set Screw (2) | 268060 | Feed Driving Connection |
| 200055(819) | Bed Plate Screw (8) | 201418(803) | Feed Lifting Rock Shaft Crank Position Screw | 268060 | Needle Bar Rock Frame Driving Connection |
| 200054(803) | Looper Thread Tube Clamp screw (4) | 201477(803) | Looper Throw-out Gear Locking Plunger Screw Bushing | 268061 | Needle Bar Rock Frame Driving Connection 268060 with 268063 |
| 200058(803) | Needle Bar Rock Frame Driving Arm Pinch Screw (2) | 201522(805) | Needle Bar Rock Frame Driving Connection Hinge Stud Nut | 268061 | Feed Driving Connection 268060 with 268063 |
| 200061(833) | Feed Lifting Rock Shaft Crank Pinch Screw (2) | 201522(805) | Feed Driving Connection Hinge Stud Nut | 268062 | Feed Driving Connection Hinge Stud with 268258 |
| 200061(833) | Feed Driving Rock Shaft Crank Pinch Screw (2) | 201524(805) | Looper Carrier Crank Clamping Stud Nut | 268062 | Feed Lifting Connection Hinge Stud with 268258 |
| 200064(806) | Looper Thread Take-up Rod Set Screw | 201525(805) | Feed Dog Shank Screw Lock Nut | 268062 | Needle Bar Rock Frame Driving Connection Hinge Stud with 268258 |
| 200069(803) | Needle Bar Connecting Stud Pinch screw (2) | 201537(819) | Feed Dog Shank Adjusting Screw Lock Nut | 268063 | Feed Driving Connection Needle Bearing |
| 200070(803) | Presser Bar Guide Bracket Pinch Screw | 201553(804) | Looper Throw-out Rack Rod Thumb Nut | 268063 | Needle Bar Rock Frame Driving Connection Needle Bearing |
| 200076(805) | Arm Side Cover Screw (3) | 201572(819) | Looper Thread Tension Thumb Nut | 268063 | Needle Bar Rock Frame Driving Connection Needle Bearing |
| 200076(806) | Feed Regulating Stud Socket Screw (2) | 201620(804) | Looper Throw-out Gear Locking Plunger Thumb Nut | 268063 | Spreader Driving Connection Needle Bearing |
| 200082(804) | Needle Thread Guide Screw (3) | 201730(805) | Spreader Driving Rock Shaft screw Stud Nut | 268064 | Feed Driving Eccentric |
| 200085(803) | Looper Carrier Shaft Bushing (left) Position Plate Screw (2) | 202005 | Arm screw Washer (4) | 268064 | Needle Bar Rock Frame Driving Eccentric |
| 200089(803) | Looper Carrier Crank Hinge Pin Pinch Screw | 202120 | Presser Bar Lever Stop Pin | 268065 | Feed Driving Eccentric Adjusting Disc |
| 200095(819) | Needle Bar Connecting Link Cap Washer Screw | 202120 | Foot Lifter Lifting Link Stop Pin | 268065 | Needle Bar Rock Frame Driving Eccentric Adjusting Disc |
| 200098(806) | Looper Throw-out Safety Latch Spring Bracket Screw (2) | 202253 | Arm Shaft Connection Belt Pulley Spring Flange (2) | 268066 | Feed Driving Eccentric Adjusting Disc Spring |
| 200100(803) | Feed Dog Screw (2) | 202257 | Needle Bar Connecting Stud Oil bearing (wick) | 268066 | Needle Bar Rock Frame Driving Eccentric Adjusting Disc Spring |
| 200100(805) | Throat Plate Screw (3) | 202349 | Feed Bar Hinge Pin Collar with 200380(803) | 268067 | Feed Driving Eccentric Adjusting Disc Spring |
| 200123(804) | Needle Bar Rock Frame Driving Connection Cap Screw | 202759 | Needle Thread Tension Releasing Plate screw Washer | 268067 | Feed Driving Eccentric Adjusting Disc Spring Collar with two 200382(833) |
| 200123(804) | Feed Driving Connection Cap Screw | 202759 | Presser Bar Stop Collar with 200380(803) | 268067 | Needle Bar Rock Frame Driving Eccentric Adjusting Disc Spring Collar with two 200382(833) |
| 200125(833) | Needle Set Screw | 204028 | Arm Head Position Pin | 268068 | Feed Driving Rock Frame with 200354(803) and 200020(803) |
| 200138(804) | Bed Plate Slide Spring Screw (4) | 204048 | Foot Lifter Lever Spring | 268071 | Feed Driving Rock Shaft |
| 200172(804) | Loop Deflector Screw (2) | 204048 | Needle Thread Tension Releaser Spring | 268071 | Feed Driving Rock Shaft Needle Bearing (2) |
| 200172(804) | Needle Bar Oiling Felt Holder Screw (2) | 204025 | Spreader Screw Washer | 268071 | Feed Lifting Rock Shaft Needle Bearing (2) |
| 200226(805) | Presser Bar spring Support Screw | 204025 | Looper Driving Crank Oil Hole Cover Screw Washer | 268071 | Spreader Driving Rock Shaft Needle Bearing (2) |
| 200305(819) | Looper Driving Crank Oil Hole Cover Screw | 204335 | Presser Foot Hinge Pin | 268072 | Feed Driving Rock Shaft Collar with two 200380(830) (2) |
| 200327(805) | Machine Pulley Set Screw | 204336 | Looper Holder Screw Washer | 268072 | Feed Lifting Rock Shaft Collar with two 200380(830) (2) |
| 200328(813) | Machine Pulley Position Screw | 204337 | Feed Dog Shank Screw Washer | 268072 | Feed Lifting Rock Shaft Collar with two 200380(830) (2) |
| 200347(803) | Needle Bar Rock Frame Regulating Stud Sleeve Set Screw | 214524 | Needle Bar Rock Frame Regulating Stud Spring | 268072 | Feed Lifting Rock Shaft Collar with two 200380(830) (2) |
| 200349(803) | Looper Driving Crank Position Screw (2) | 220060 | Presser Foot Plate Spring | 268073 | Feed Driving Rock Shaft Collar with two 200061(833) |
| 200349(803) | Needle Bar Crank Set Screw | 220206 | Needle Thread Tension Releasing Pin | 268074 | Feed Lifting Connection |
| 200354(803) | Needle Bar Crank Position Screw | 220206 | Machine Locating Stud (4) | 268075 | Feed Lifting Crank with 200373(803) and 201256(830) |
| 200354(803) | Feed Driving Rock Frame Position Screw | 228448 | Needle Thread Tension Releasing Plate Pin | 268077 | Feed Lifting Eccentric Lubricating Pad (wood) |
| 200354(803) | Looper Carrier Shaft Bushing Position Screw (2) | 238089 | Feed Regulating Stud Retaining Spring | 268078 | Feed Lifting Link Hinge Pin with 268258 (2) |
| 200354(803) | Looper Carrier Shaft Bushing Position Screw (2) | 240245 | Feed Driving Eccentric Friction Plate Screw Set Screw Packing (brass) (2) | 268078 | Feed Lifting Rock Shaft |
| 200354(803) | Looper Carrier Shaft Bushing Position Screw (2) | 241703 | Needle Bar Rock Frame Driving Eccentric Friction Plate | 268081 | Feed Regulating Stud |
| 200354(803) | Looper Carrier Shaft Bushing Position Screw (2) | 241703 | Needle Bar Rock Frame Driving Eccentric Friction Plate | 268081 | Feed Regulating Stud Socket |
| 200354(803) | Looper Carrier Shaft Bushing Position Screw (2) | 244048 | Arm Shaft with 268009, 268044, 268264 two each 268214 and 350534(803) | 268083 | Foot Lifter Bell Crank |
| 200354(803) | Looper Carrier Shaft Bushing Position Screw (2) | 250265 | Arm Shaft Ball Bearing (back) Housing | 268085 | Foot Lifter Lever with 238089 |
| 200354(803) | Looper Carrier Shaft Bushing Position Screw (2) | 263572 | Arm Shaft Ball Bearing (front) | 268086 | Foot Lifter Lever Rod |
| 200354(803) | Looper Carrier Shaft Bushing Position Screw (2) | 264709 | Arm Shaft Connection Belt Pulley with two each 201254(803) and 202253 | 268087 | Foot Lifter Lifting Link |
| 200354(803) | Looper Carrier Shaft Bushing Position Screw (2) | 267623 | Arm Shaft Oil Slinger with 350171(803) | 268094 | Looper Carrier Shaft 268093 with 268095 and 268097 |
| 200354(803) | Looper Carrier Shaft Bushing Position Screw (2) | 267623 | Arm Shaft Oil Stop Ball Spring (front) | 268096 | Looper Carrier Shaft Bushing (left) Position Plate |
| 200354(803) | Looper Carrier Shaft Bushing Position Screw (2) | 267623 | Arm Side Cover | 268098 | Looper Driving Connection |
| 200354(803) | Looper Carrier Shaft Bushing Position Screw (2) | 268003 | Bed Plate Slide with two 268022 and four 200138(804) | 268099 | Looper Carrier Needle Bearing (2) |
| 200354(803) | Looper Carrier Shaft Bushing Position Screw (2) | 268005 | | 268099 | Looper Driving Connection Needle Bearing |
| 200354(803) | Looper Carrier Shaft Bushing Position Screw (2) | 268009 | | | |
| 200354(803) | Looper Carrier Shaft Bushing Position Screw (2) | 268010 | | | |
| 200354(803) | Looper Carrier Shaft Bushing Position Screw (2) | 268017 | | | |

| PART NO. | DESCRIPTION |
|----------|---|
| 268102 | Looper Driving Crank Oil Hole Cover |
| 268111 | Looper Thread Guide (top of Arm) Bracket |
| 268121 | Looper Thread Tension Bracket Spacing Collar (2) |
| 268121 | Needle Thread Tension Bracket Spacing Collar (2) |
| 268123 | Looper Thread Tube with two 268125 |
| 268124 | Looper Thread Tube Clamp (2) |
| 268125 | Looper Thread Tube Thread Bushing (2) |
| 268126 | Looper Throw-out Gear with two 200562(803) |
| 268127 | Looper Throw-out Gear Locking Plunger |
| 268131 | Looper Throw-out Safety Latch |
| 268132 | Looper Throw-out Safety Latch Spring |
| 268133 | Looper Throw-out Safety Latch Spring Bracket |
| 268603 | Needle Bar |
| 268139 | Needle Bar Connecting Link Cap Washer |
| 268141 | Needle Bar Connecting Stud with 200354(803), 200370 and two 20005(803) |
| 268142 | Needle Bar Crank with 200346(803), 200354(803) and 200378(803) |
| 268143 | Needle Bar Crank 268142 with 268005 |
| 268144 | Needle Bar Oiling Felt (2) |
| 268148 | Needle Bar Rock Frame Regulating Stud |
| 268149 | Needle Bar Rock Frame Regulating Stud Sieve |
| 268150 | Needle Bar Rock Frame Regulating Stud complete, Nos. 214529, 264709, 268148 and 268149 |
| 268161 | Needle Bar Rock Frame Driving Arm with two 200058(803) |
| 268162 | Spreader Point |
| 268167 | Needle Thread Tension Bracket |
| 268168 | Needle Thread Tension Releaser |
| 268169 | Needle Thread Tension Releaser Cap with 201052(833) |
| 268171 | Needle Thread Tension Releasing Plate (adjustable) |
| 268172 | Presser Bar |
| 268173 | Presser Bar Bushing |
| 268174 | Presser Bar Guide Bracket with 200070(803) and 200572(800) |
| 268176 | Presser Bar Spring |
| 268181 | Spreader Bar |
| 268184 | Spreader Bar Bearing |
| 268185 | Spreader Holder with two 200380(803) |
| 268186 | Spreader Driving Connection with two 201020(805) |
| 268187 | Spreader Driving Crank with 200373(803) and 200403(830) |
| 268190 | Spreader Driving Pin |
| 268197 | Face Plate Lock Spring Plate |
| 268198 | Feed Lifting Rock Shaft Crank with 201418(803) and two 200061(833) |
| 268199 | Looper Throw-out Safety Latch Collar with two 200386(830) |
| 268208 | Looper Carrier Crank Hinge Pin with 268258 |
| 268214 | Arm Shaft Oil Stop Ball 5/32 in. diam. (2) |
| 268214 | Bed Shaft Oil Stop Ball |
| 268216 | Looper Driving Connection 268098 with 268099 |
| 268219 | Needle Bar Rock Frame Thread Guide |
| 268220 | Spreader Driving Eccentric Thrust Washer (2) |
| 268231 | Spreader Driving Connection 268186 with 268063 and 351876 |
| 268258 | Feed Driving Connection Hinge Stud Oil Packing (wick) |
| 268258 | Feed Lifting Connection Hinge Stud Oil Packing (wick) |
| 268258 | Feed Lifting Link Hinge Pin Oil Packing (wick) (2) |
| 268258 | Looper Carrier Crank Hinge Pin Oil Packing (wick) |
| 268258 | Needle Bar Rock Frame Driving Connection Hinge Stud Oil Packing (wick) |
| 268261 | Bed Shaft Connection Belt Pulley 268028 with 268024 |
| 268263 | Needle Thread Tension complete, Nos. 32572, 59537, 59538, 59539, 131741 and two 2102 |
| 268264 | Arm Shaft Oil Control Rod (wood) |
| 268265 | Bed Shaft Oil Control Rod (wood) |
| 268270 | Arm Shaft Connection Belt (reinforced neoprene) |
| 268275 | Presser Foot Shank with 1454(806) |
| 268277 | Looper Driving Crank with 200362(803), 200573(804) and two 200344(830) |
| 268278 | Needle Bar Oiling Felt Holder (2) |
| 268344 | Needle Bar Rock Frame |
| 268306 | Presser Bar Spring Cushion Spring |
| 268307 | Looper Carrier Crank with 200089(803) |
| 268308 | Looper Carrier Crank Clamping Stud |
| 268310 | Needle Guard |
| 268312 | Needle Thread Guide (on Arm Head) |
| 268313 | Looper Throw-out Gear Locking Plunger Handle |
| 268315 | Feed Driving Flange with 267623, two each 241763, 350467(803), 350477(830) and 350548(803) |
| 268315 | Needle Bar Rock Frame Driving Flange with 267623, two each 241763, 350467(803), 350477(830) and 350548(803) |
| 268316 | Feed Dog Shank with 201537(819) and 350552(803) |

| PART NO. | DESCRIPTION |
|-------------|---|
| 268317 | Loop Deflector |
| 268318 | Face Plate Hinge Stud (1) |
| 268319 | Looper Thread Tension Bracket |
| 268321 | Looper Thread Tension complete, Nos. 10148, 200987(819), 201071(819) and two 244048 |
| 268331 | Looper Thread Tension Thread Guide |
| 268367 | Looper Carrier |
| 268368 | Looper Carrier 268367 with two 268099 |
| 268369 | Looper with 141220(869) |
| 268370 | Looper and Needle Guard complete, Nos. 268310 and 268369 |
| 268373 | Looper Thread Guide (on bed at looper) for all gauges from 3/16 to 2 inches |
| 268402 | Bed Plate (left) |
| 268462 | Bed Plate (right) |
| 268505 | Looper Thread Guide (top of Arm) |
| 268506 | Looper Thread Guide (top of Arm) Bracket: 268111 with 268505 and two 50169(809) |
| 268512 | Needle Thread Guide (on Needle Bar Connecting Stud) |
| 268513 | Needle Thread Guide (on side of Arm) (2) |
| 268602 | Looper Holder with two 350478(803) |
| 268611 | Presser Foot Plate |
| 268612 | Presser Foot Plate Heel Spring |
| 268613 | Presser Foot (spring hinged) complete, 46 needle hole, Nos. 206335, 226080, 268275, 268611 and 268612 |
| 268614 | Throat Plate |
| 268618 | Feed Dog, 46 needle hole, for needle sizes 20 and 22 (teeth cut 15 to the inch) with 268318 and two 200172(804), for 268614 |
| 268638 | Spreader with 268162 |
| 270026 | Feed Regulating Stud Spring |
| 270266 | Needle Bar Connecting Link Needle Bearing (2) |
| 340466(803) | Spreader Driving Rock Shaft Screw Stud with 263572 |
| 350013(803) | Foot Lifter Bell Crank Hinge Screw |
| 350149(803) | Spreader Screw |
| 350171(803) | Arm Shaft Oil Slinger Set Screw |
| 350267(805) | Looper Holder Screw |
| 350381(803) | Presser Bar Spring Adjusting Screw |
| 350467(803) | Presser Bar Spring Adjusting Screw Set Screw |
| 350467(803) | Needle Bar Rock Frame Driving Flange Set Screw (2) |
| 350467(803) | Feed Driving Flange Set Screw (2) |
| 350466(805) | Looper Thread Guide (on bed at looper) Screw |
| 350477(830) | Needle Bar Rock Frame Driving Eccentric Friction Plate Screw Set Screw (2) |
| 350477(830) | Feed Driving Eccentric Friction Plate Screw Set Screw (2) |
| 350478(803) | Looper Set Screw |
| 350478(803) | Looper Adjusting Screw |
| 350534(803) | Bed Shaft Oil Stop Ball Screw |
| 350534(803) | Arm Shaft Oil Stop Ball Screw (2) |
| 350548(803) | Needle Bar Rock Frame Driving Eccentric Friction Plate Screw (2) |
| 350548(803) | Feed Driving Eccentric Friction Plate Screw (2) |
| 350552(803) | Feed Dog Shank Adjusting Screw |
| 351876 | Spreader Driving Rock Shaft Screw Stud Ball Bearing |

ACCESSORIES

| PART NO. | DESCRIPTION |
|-------------|--|
| 265307 | Bed Hinge Connection (2) |
| 350596 | Bed Hinge Connection Screw (4) |
| 228731 | Drip Pan |
| 200019(805) | Drip Pan Screw (4) |
| 232365 | Foot Lifter Treadle Chain, 41-1/2 in. long |
| 268340 | Looper Threading Wire |
| 228452 | Machine Base Oil Drain Jar complete |
| 228444 | Machine Cushion (neoprene) |
| 41400 | Machine Rest Pin (wood) |
| 226733 | Machine Rest (left) |
| 226734 | Machine Rest (right) |
| Cat. No. | |
| 3260 | Needles (62x57) Size 22 (6) |
| 228491 | Pressure Oiler |
| 226745 | Thread Unwinder complete |
| 120341 | Twelve |
| 21887 | Wrench |

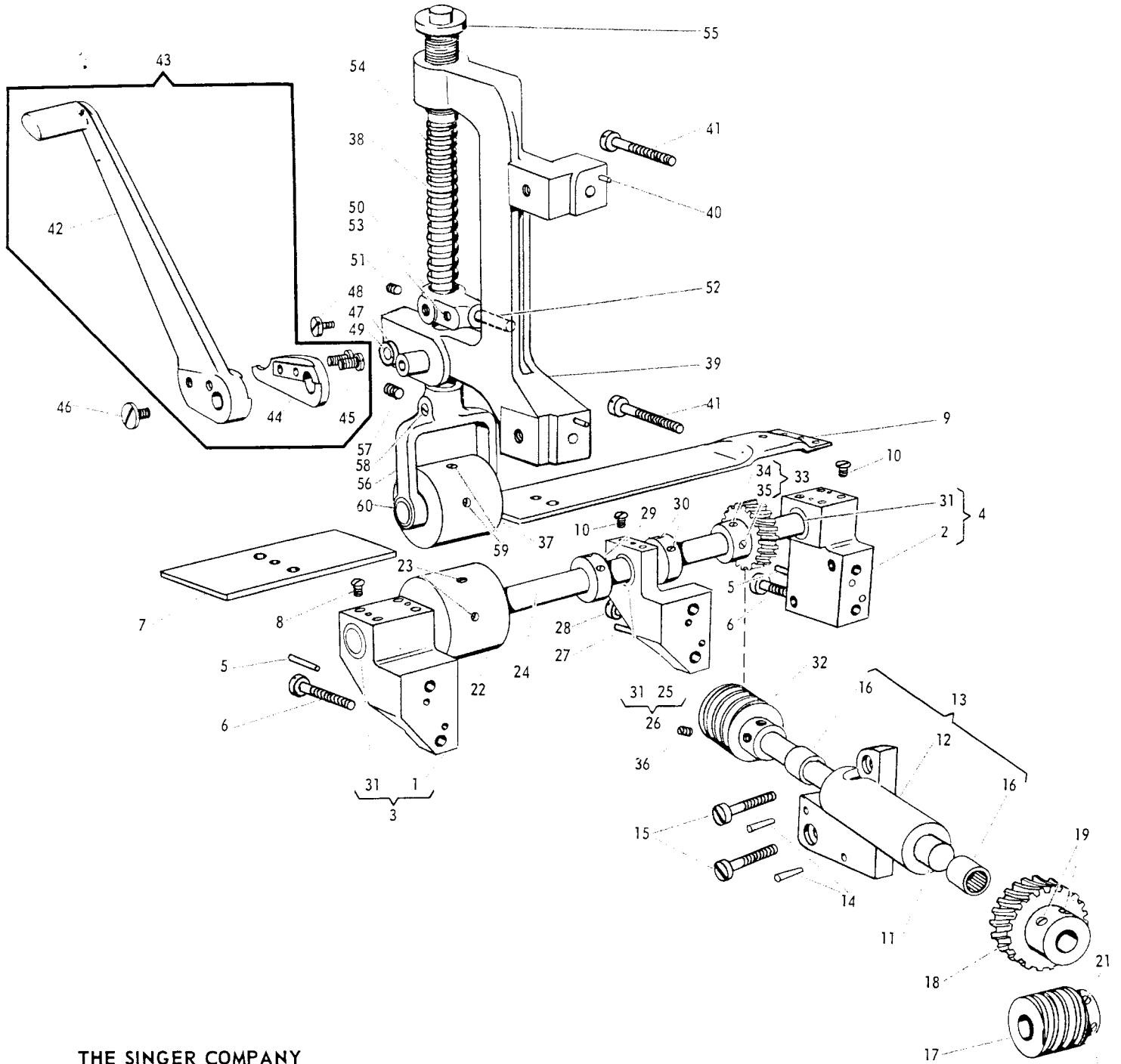
STYLE OF FINISH:

When ordering screws, nuts and similar parts include new code numbers which follow part numbers in list.

| NEW | OLD | DESCRIPTION |
|-----|----------|---|
| 803 | C | Hardened only |
| 804 | D | Polished only |
| 805 | E | Soft, Not Polished |
| 806 | F | Hardened and Polished |
| 819 | X | Black Oxide for Iron and Steel |
| 830 | A. L. | Heat Treated for Toughness |
| 833 | A. L. X. | Hardened and Black Oxide for Iron and Steel |
| 869 | -- | Commercial Finish for Allen type Screws |

SUPPLEMENTARY PARTS ILLUSTRATIONS FOR SINGER* MACHINES 300W105, 205, 305 and 405

All Parts for Machines 300W105, 205, 305 and 405 are the same as Machine 300W101 with the following exceptions:



THE SINGER COMPANY

Copyright © 1964 The Singer Company
Rights Reserved under Inter-American Copyright Union
Copyright under International Copyright Union

*A Trademark of THE SINGER COMPANY

**SUPPLEMENTARY PARTS LIST FOR MACHINES 300W105, 205, 305 and 405
(Same as Complete List for MACHINE 300W101 with the following EXCEPTIONS)**

**CHANGE 300W101 LISTINGS
AS INDICATED BELOW**

| CODE | NUMBER | DESCRIPTION | CODE | NUMBER | DESCRIPTION | CODE | NUMBER | DESCRIPTION |
|------|-------------|--|------|-------------|---|------|-------------|--|
| 1 | 268752 | Bed Hinge Connection Bracket (left) | 22 | 131979 | Puller Feed Roll (lower) and two 140279(830), for gauges from 3/16 in. to 1-1/4 in. | 41 | 201308(805) | Puller Feed Roll (upper) Bar Bracket Screw (2) |
| 2 | 268608 | Bed Hinge Connection Bracket (right) | | | | 42 | 268430 | Puller Feed Roll (upper) Bar Lifter |
| 3 | 268452 | Bed Hinge Connection Bracket 268752 with 268425(Needle Bearing on left) | 23 | 140279(830) | Puller Feed Roll (lower) Set Screw (2) | 43 | 268431 | Puller Feed Roll (upper) Bar Lifter 268430 with 268432 and two 200050(803) |
| 4 | 269609 | Bed Hinge Connection Bracket (right) 269608 with 268425 (Needle Bearing on left) | 24 | 268465 | Puller Feed Roll (lower) Shaft | 44 | 268432 | Puller Feed Roll (upper) Bar Lifter Cam Plate |
| 5 | 232866 | Bed Hinge Connection Bracket Position Pin (4) | 25 | 268448 | Puller Feed Roll (lower) Shaft Bracket | 45 | 200050(803) | Puller Feed Roll (upper) Bar Lifter Cam Plate Screw (2) |
| 6 | 200017(803) | Bed Hinge Connection Bracket Screw (4) | 26 | 268449 | Puller Feed Roll (lower) Shaft Bracket 268448 with 268425 | 46 | 201011(819) | Puller Feed Roll (upper) Bar Lifter Cap Screw |
| 7 | 268407 | Puller Feed Cover Plate (left) for gauges from 3/16 in. to 1-1/4 in. | 27 | 232866 | Puller Feed Roll (lower) Shaft Bracket Position Pin (2) | 47 | 201892 | Puller Feed Roll (upper) Bar Lifter Roller |
| 8 | 200571(804) | Puller Feed Cover Plate (left) Screw (2) | 28 | 200017(803) | Puller Feed Roll (lower) Shaft Bracket Screw (2) | 48 | 200202(806) | Puller Feed Roll (upper) Bar Lifter Roller Screw Stud |
| 9 | 268464 | Puller Feed Cover Plate (right) for gauges from 3/16 in. to 1-1/4 in. | 29 | 268424 | Puller Feed Roll (lower) Shaft Collar with two 200378(803) (2) | 49 | 268433 | Puller Feed Roll (upper) Bar Lifter Stop Pin |
| 10 | 200571(804) | Puller Feed Cover Plate (right) Screw (2) | 30 | 200378(803) | Puller Feed Roll (lower) Shaft Collar Set Screw (4) | 50 | 268434 | Puller Feed Roll (upper) Bar Position Bracket with 268435 and two 200362(803) |
| 11 | 269621 | Puller Feed Cross Shaft | 31 | 268425 | Puller Feed Roll (lower) Shaft Needle Bearing (3) | 51 | 200362(803) | Puller Feed Roll (upper) Bar Position Bracket Set Screw |
| 12 | 269622 | Puller Feed Cross Shaft Bracket | 32 | 269655 | Puller Feed Roll (lower) Shaft Worm with two 200382(833) (for 5 stitches per inch) | 52 | 268435 | Puller Feed Roll (upper) Bar Position Bracket Stud |
| 13 | 269623 | Puller Feed Cross Shaft Bracket 269622 with two 268425 | 33 | 269656 | Puller Feed Roll (lower) Shaft Worm Gear with 200362(803) and 201220(833) (for 5 stitches per inch) | 53 | 200362(803) | Puller Feed Roll (upper) Bar Position Bracket Stud Set Screw |
| 14 | 232866 | Puller Feed Cross Shaft Bracket Position Pin (2) | | | | 54 | 268436 | Puller Feed Roll (upper) Bar Spring |
| 15 | 200017(803) | Puller Feed Cross Shaft Bracket Screw (2) | 34 | 201220(833) | Puller Feed Roll (lower) Shaft Worm Gear Position Screw | 55 | 913(806) | Puller Feed Roll (upper) Bar Spring Adjusting Thumb Screw |
| 16 | 268425 | Puller Feed Cross Shaft Needle Bearing (2) | | | | 56 | 268437 | Puller Feed Roll (upper) Bracket with 200354(803) and 200382(833), for gauges from 3/16 in. to 1-1/4 in. |
| 17 | 269624 | Puller Feed Cross Shaft Worm with 200382(833) and 201220(833) | 35 | 200362(803) | Puller Feed Roll (lower) Shaft Worm Gear Set Screw | 57 | 200354(803) | Puller Feed Roll (upper) Bracket Position Screw |
| 18 | 269625 | Puller Feed Cross Shaft Worm Gear with two 200362(803) | 36 | 200382(833) | Puller Feed Roll (lower) Shaft Worm Set Screw (2) | 58 | 200382(833) | Puller Feed Roll (upper) Bracket Set Screw |
| 19 | 200362(803) | Puller Feed Cross Shaft Worm Gear Set Screw (2) | 37 | 131979 | Puller Feed Roll (upper) and two 140279(830), for gauges from 3/16 in. to 1-1/4 in. | 59 | 140279(830) | Puller Feed Roll (upper) Set Screw (2) |
| 20 | 201220(833) | Puller Feed Cross Shaft Worm Position Screw | 38 | 268428 | Puller Feed Roll (upper) Bar | 60 | 268438 | Puller Feed Roll (upper) Shaft, for gauges from 3/16 in. to 1-1/4 in. |
| 21 | 200382(833) | Puller Feed Cross Shaft Worm Set Screw | 39 | 268429 | Puller Feed Roll (upper) Bar Bracket with 268433 | | | |
| | | | 40 | 232077 | Puller Feed Roll (upper) Bar Bracket Position Pin(2) | | | |

SUPPLEMENTARY PARTS LIST FOR MACHINES 300W105, 205 305 and 405
(Same as Complete List for MACHINE 300W101 with the following EXCEPTIONS)

**CHANGE 300W101 LISTINGS
AS INDICATED BELOW
TO MAKE 300W105**

| NUMBER | DESCRIPTION |
|-------------|--|
| 268463 | Bed Shaft with 268044, 268214, 268265 and 350534(803) in place of 268054 |
| 268219(016) | Needle Bar Rock Frame Thread Guide in place of 268219 |
| 268638(016) | Spreader with 268162 in place of 268638 |

**CHANGE 300W101 LISTINGS
AS INDICATED BELOW
TO MAKE 300W205**

| NUMBER | DESCRIPTION |
|-------------|---|
| 268463 | Bed Shaft with 268044, 268214, 268265 and 350534(803) in place of 268054 |
| 267802(016) | Feed Dog, 46 needle hole, for needle sizes 20 and 22 (teeth cut 15 to the inch) with two 268318 and four 200172(804) for 268618 |
| 268103 | Looper Holder with four 350478(803) in place of 268602 |
| 268219(016) | Needle Bar Rock Frame Thread Guide in place of 268219 |
| 268151(016) | Needle Holder with two 50014(803) in place of 268627 |
| 267871 | Presser Foot Plate in place of 268611 |
| 278872(016) | Presser Foot (spring hinged) complete, 46 needle hole, Nos. 206335, 226080, 267871, 268275 and 268612 in place of 268613 |
| 267851(016) | Throat Plate in place of 268614 |
| 268374(016) | Spreader with two 268162 in place of 268638 |

**CHANGE 300W101 LISTINGS
AS INDICATED BELOW
TO MAKE 300W305**

| NUMBER | DESCRIPTION |
|-------------|---|
| 268463 | Bed Shaft with 268044, 268214, 268265 and 350534(803) in place of 268054 |
| 268811(501) | Feed Dog, 46 needle hole, for needle sizes 20 and 22 (teeth cut 15 to the inch) with three 268318 and six 200172(804) for 268976 in place of 268618 |
| 268836(501) | Looper Holder with six 350478(803) in place of 268602 |
| 268876(501) | Needle Bar Rock Frame Thread Guide in place of 268219 |
| 268896(501) | Needle Holder with three 50014(803) in place of 268627 |
| 268514 | Needle Thread Tension Bracket in place of 268167 |
| 268515 | Needle Thread Tension Releaser in place of 268168 |
| 230795 | Presser Foot Hinge Pin in place of 206335 |
| 268920(501) | Presser Foot Plate in place of 268611 |
| 268921(501) | Presser Foot (spring hinged) complete, 46 needle hole, Nos. 226080, 230795, 268275, 268612 and 268920(501), in place of 268613 |
| 268976(502) | Throat Plate in place of 268614 |
| 268876(501) | Spreader with three 268162 in place of 268638 |

**CHANGE 300W101 LISTINGS
AS INDICATED BELOW
TO MAKE 300W405**

| NUMBER | DESCRIPTION |
|-------------|---|
| 268463 | Bed Shaft with 268044, 268214, 268265 and 350534(803) in place of 268054 |
| 269006(501) | Feed Dog, 46 needle hole, for needle sizes 20 and 22 (teeth cut 15 to the inch) with four 268318 and eight 200172(804) for 269379 in place of 268618 |
| 269065(501) | Looper Holder with eight 350478(803) in place of 268602 |
| 269342(570) | Needle Bar Rock Frame Thread Guide in place of 268219 |
| 269191(501) | Needle Holder with four 50014(803) in place of 268627 |
| 268514 | Needle Thread Tension Bracket in place of 268167 |
| 268515 | Needle Thread Tension Releaser in place of 268168 |
| 269235(505) | Presser Foot Plate (left) in place of 268611 |
| 269236(505) | Presser Foot Plate (right) in place of 268611 |
| 26231 | Presser Foot Plate Spring in place of 226080(2) |
| 271117 | Presser Foot Shank (left) in place of 268275 |
| 271119 | Presser Foot Shank (right) in place of 268275 |
| 269237(505) | Presser Foot (hinged compensating) complete, 46 needle hole Nos. 269234, 269235(505), 269236(505), 271115, 271116, 271117, 271119, 350515(803), two each 26231, 200583(819) and 213910 in place of 268613 |
| 269379(501) | Throat Plate in place of 268614 |
| 269342(501) | Spreader with four 268162 in place of 268638 |

**OMIT THE FOLLOWING
PART LISTED FOR 300W101**

| NUMBER | DESCRIPTION |
|--------|----------------------------|
| 202120 | Presser Bar Lever Stop Pin |